

## ONE+ SAT Programmable digital amplifier

**NEW DIGITAL TECHNOLOGY!**



High selectivity



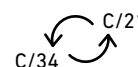
Autoconfiguration in  
10 seconds



Automatic Gain  
Control



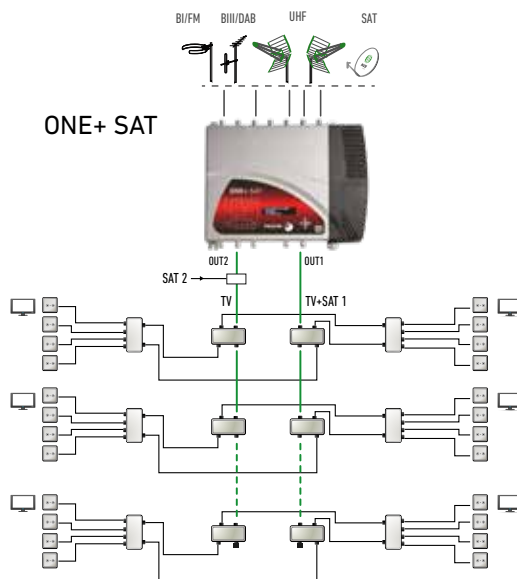
LTE 4G and LTE 5G



Channel conversion

## Main Features:

- Unique on the market with over 131 dB $\mu$ V in output level (IMD3 -36 dB)
- 32 tunable variable bandwidth VHF/UHF filters from 1 to 4 channels
- Input greater dynamic range (allows operation with weaker signals)
- Configuration copy & software field upgrade over microSD card
- Intuitive handling



## TECHNICAL FEATURES

MODEL		ONE+ SAT						
REF.		2864						
TV system		AM-TV / DVB-T						
Inputs		7						
		BI/FM	EXT (VHF/UHF)	BIII / DAB	UHF 3	UHF 2	UHF 1	FI-SAT
Band covered	MHz	47 - 108	47 - 862	174 - 240	470 - 862 470 - 790 470 - 694			950 - 2400
Number of programmable filters		—			32			—
Number of channels per filter		—			1 - 4			—
Filter bandwidth	MHz	—	—	7 / 8 / DAB	8 / 16 / 24 / 32			—
Input level	dB $\mu$ V	40 - 90	60 - 80	40 - 100			50 - 80	
AGC (Automatic gain control)		—			Yes			—
End-of-channel selectivity $\pm 1$ MHz	dB	—			35			—
Output level OUT 1	dB $\mu$ V	131 (IMD3 -36 dB) ; 122*			131 (IMD3 -36 dB) ; 122*			122 (IMD3 -35 dB) OUT 1 only
Output level OUT 1 + OUT 2	dB $\mu$ V	128 (IMD3 -36 dB) ; 119*			128 (IMD3 -36 dB) ; 119*			
VHF/UHF output equalization	dB	—			$\pm 1$			—
Output regulation	dB	25	20	30			20	
Slope control	dB	—			0 - 6			0 - 9
Noise figure	dB	< 6						
Test output	dB	-30						
Output voltage	VDC mA	—			Off - 12 - 24 100mA @ 24V 200mA @ 12V			Bypass - 13 - 18 300
Tone	kHz	—						0-22
Supply voltage (50/60 Hz)	VAC	110 - 240						
Consumption	W	25						
Operating temperature	$^{\circ}$ C	-5 ... +50						
Protection index	IP	IP30						
Dimensions	mm	300 x 250 x 40						
Weight	kg	2.2						

\* with 1 mux OFDM