

SATELLITE MOUNT: UNDER TILE ROOF
450 mm | 600 mm RAFTERS
SUITS: SDJ65 65cm DISH | SDJ85 85cm DISH

PRODUCT CODE: SBSUT6

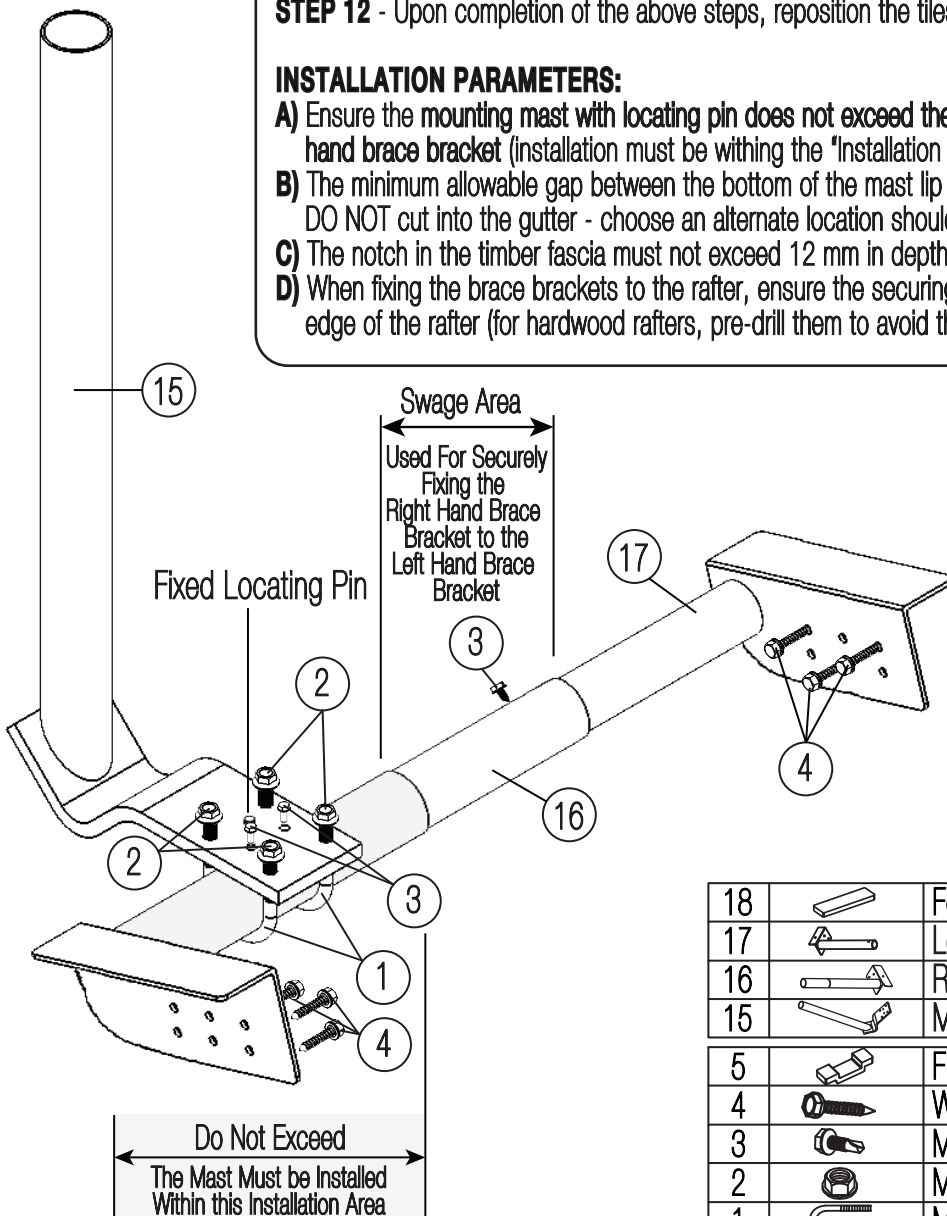


INSTALLATION INSTRUCTIONS:

- STEP 1** - Slide left hand brace bracket into right hand brace bracket
- STEP 2** - Sit the mounting mast with locating pin on top of the right hand brace bracket
- STEP 3** - Pre-assemble both U-Bolts using the M8 flange nuts to the right hand brace bracket and mounting mast
- STEP 4** - Only finger tighten the M8 flange nuts to the right hand brace bracket and mounting mast
(so that you can slide and relocate the mounting mast during the installation)
- STEP 5** - Once the tiles have been slid back, sit this assembly on top of the left and right rafter
- STEP 6** - Using the fixed locating pin on the mast, measure the correct distance to notch the timber fascia and to measure the correct fixing of the left/right hand brace brackets to the rafters (mark accordingly)
- STEP 7** - Notch the timber fascia and use the shaping foam for the bottom of the mast to sit flush
- STEP 8** - Fix the left/right hand brace brackets to the rafters using the wood tek screws (use the foam strip spacer under the right hand brace bracket rafter lip, should the bracket need to be elevated so that the mast is installed level at 90°)
- STEP 9** - Move the mast into position and tek screw the mast with locating pin to the right hand brace bracket
- STEP 10** - Fix the right hand brace bracket to the left hand mast brace bracket using the metal tek screws
- STEP 11** - Tighten the M8 flange nuts to strengthen the U-Bolts grip to the mast and right hand brace bracket
- STEP 12** - Upon completion of the above steps, reposition the tiles as the mount installation is complete

INSTALLATION PARAMETERS:

- A)** Ensure the mounting mast with locating pin does not exceed the distance of the left hand marking on the right hand brace bracket (installation must be within the "Installation Area" as shown in the schematic diagram)
- B)** The minimum allowable gap between the bottom of the mast lip and the bottom of the gutter must be > 30 mm
DO NOT cut into the gutter - choose an alternate location should this be a problem with the installation
- C)** The notch in the timber fascia must not exceed 12 mm in depth and a maximum of 78 mm in width
- D)** When fixing the brace brackets to the rafter, ensure the securing holes are fixed at a minimum of 25 mm from the edge of the rafter (for hardwood rafters, pre-drill them to avoid the rafters from splitting)



18		Foam Strip Spacer	1
17		Left Hand Brace Bracket	1
16		Right Hand Brace Bracket	1
15		Mounting Mast with Locating Pin	1
5		Flexible Shaping Foam	1
4		Wood Tek Screw 14-10 x L40	6
3		Metal Tek Screw 10-16 x L25	3
2		M8 Flange Nut	4
1		M8 x W46 U-Bolt	2
NO.	ITEM	DESCRIPTION	QTY